

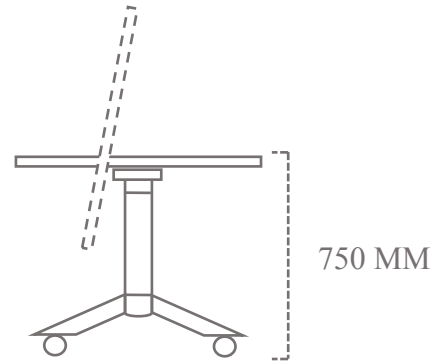
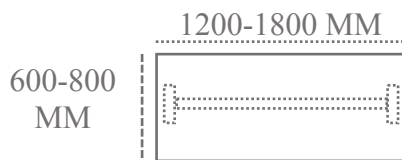
INNOFLIP

SPECIFICATION GUIDE



Statement of line

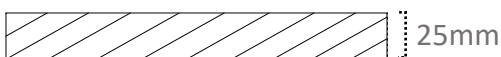
| W | D | H |
|-----------------|---------------|--------|
| 1200-1800 MM | 600-800 MM | 750 MM |



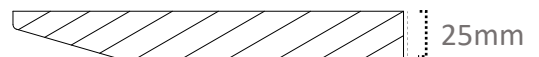
Structure

- Table top made with 25 MM prelam/postlam particle board/MDF/Plywood.
- Easy flip system.
- All 4 castors are lockable.
- Under structure available in white powdercoating.
- Laminate finishes can be selected from IBIS swatch card.

Top edge



Straight edge



Chamfered edge